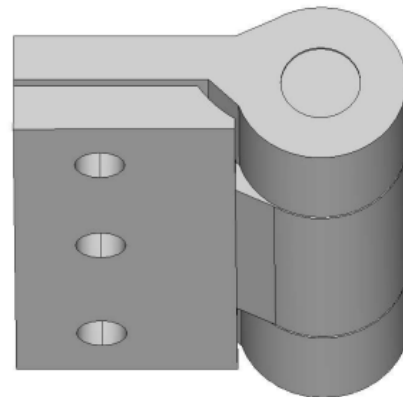
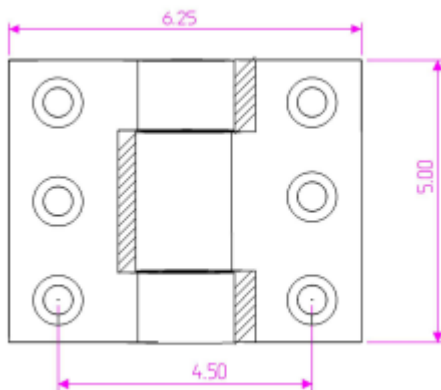
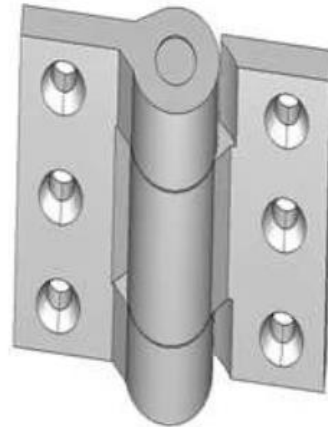


## 6 1/4" x 5" Stainless Steel Mortise Hinges

Model Number: 2000-316 Full Mortise

Price: £ 789.75

- Application: Mortise
- Type: Non-Handed
- Material Type: 316L Stainless Steel
- Maximum Door Weight: 2000 LBS
- Maximum Radial Load: 800 LBS
- Mount: Weld On
- Approx Width: 6 1/4"
- Height: 5"
- Bearing Type: Needle & Thrust Bearings
- Finish: Plain
- Service: Heavy Duty



**Kiesler Machine Inc**

**Contact Info :**  
info@kieslermachine.uk

Smoother Than The Rest  
Guaranteed!

Data Provided For Reference Only.

Disclaimer: This drawing is property of Kiesler Machine Inc, Kieslermachine.com. It is owned with the understanding that it will in no way be used in a manner which is harmful to Kiesler Machine Inc.