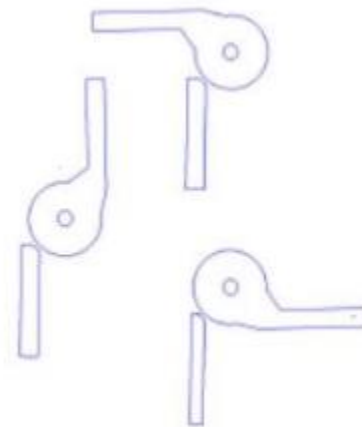
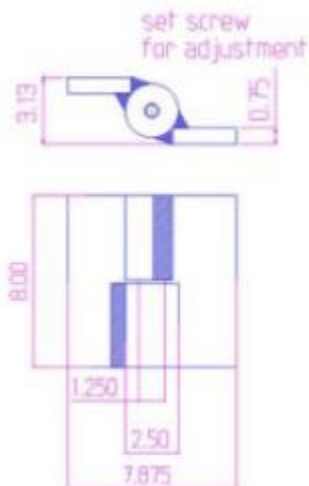
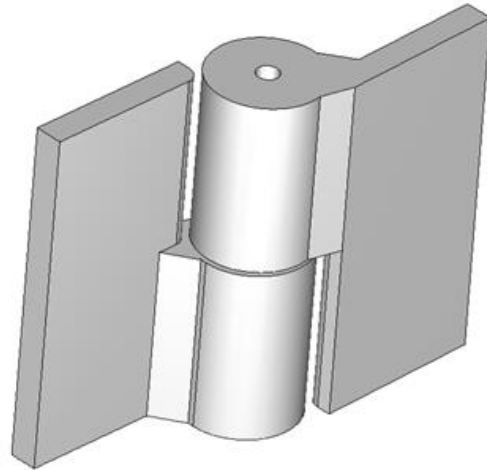


## 8" x 7 7/8" Stainless Steel Half Mortise Hinges

Model Number: 2125RH-304 Half Mortise

Price: £ 1336.5

- Application: Half Mortise
- Type: Right Hand
- Material Type: 304L Stainless Steel
- Maximum Door Weight: 8,000 LBS
- Maximum Radial Load: 3,300 LBS
- Mount: Weld-On or Bolt-On
- Approximate Width: 7 7/8"
- Height: 8"
- Weight: 23 LBS
- Bearing Type: Needle & Thrust Bearings
- Finish: Plain
- Service: Heavy Duty



**Kiesler Machine Inc**

**Contact Info :**  
info@kieslermachine.uk

Smoother Than The Rest  
Guaranteed!

Data Provided For Reference Only.

Disclaimer: This drawing is property of Kiesler Machine Inc, Kieslermachine.com. It is owned with the understanding that it will in no way be used in a manner which is harmful to Kiesler Machine Inc.