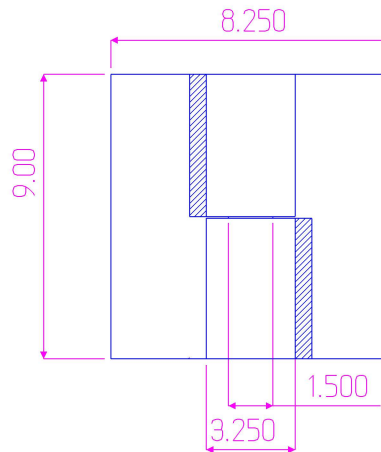
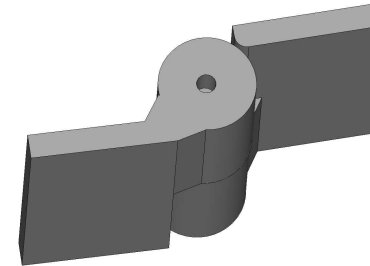
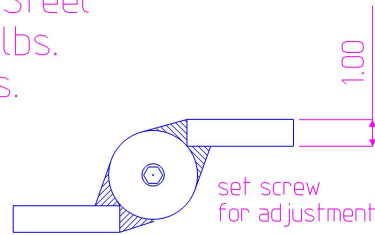


CAGE: 5NKY2

Duns # 148067614

Model Number = 2150LH-316 Half Mortise  
Hand = Left  
Material Type = 316L Stainless Steel  
Maximum Door Weight = 13,000 lbs.  
Maximum Radial Load = 6,820 lbs.  
Mount = Weld On  
Finish = Plain  
Weight = 38 Lbs. Each



THIS DRAWING IS THE PROPERTY OF  
KIESLER MACHINE, INC./WWW.TOOLBIN.CC.  
IT IS LOANED WITH THE UNDERSTANDING  
THAT IT WILL IN NO WAY BE USED IN  
A MANNER WHICH IS HARMFUL TO  
KIESLER MACHINE INC./WWW.TOOLBIN.CC

[HTTP://WWW.KIESLERMACHINE.COM](http://www.kieslermachine.com)  
2016 Kiesler Machine Inc.

HINGES @ KIESLERMACHINE.COM  
888-565-6610

DATA PROVIDED FOR REFERENCE ONLY

PART NUMBER 2150LH-316 Half Mortise

Heavy Duty Half Mortise Hinge  
316L Stainless Steel

