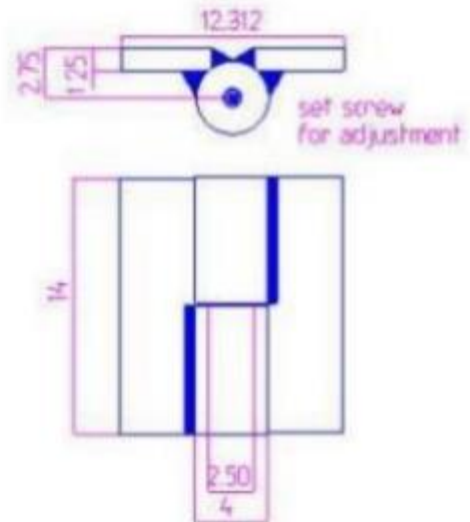
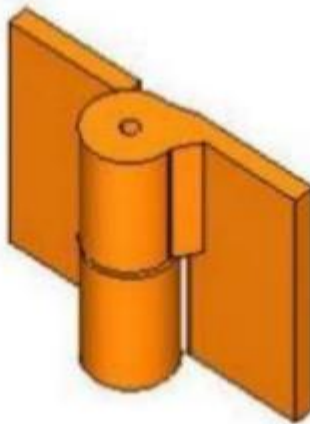
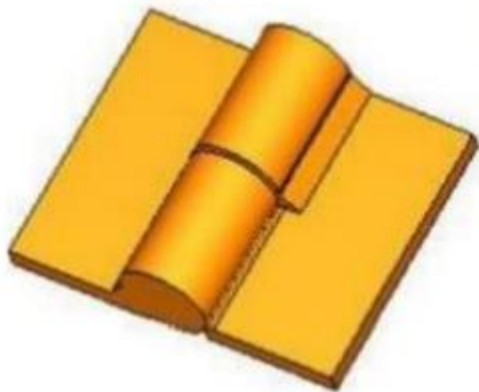
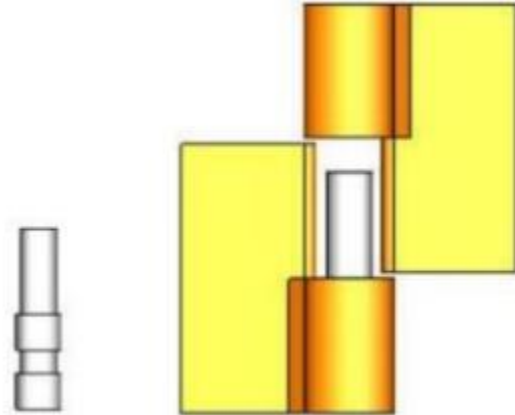


14" x 12 5/16" Carbon Steel Heavy Duty Hinges

Model Number: 2250 RH

Price: £ 2511

- Material Type: Carbon Steel
- Mount: Weld On
- Maximum Door Weight: 25,000 LBS
- Maximum Radial Load: 14,000 LBS
- Approx Width: 12 5/16"
- Height: 14"
- Leaf Thickness: 1 1/4"
- Weight: 105 LBS
- Finish: Primer



Kiesler Machine Inc



Contact Info :
info@kieslermachine.uk

Smoother Than The Rest
Guaranteed!

Data Provided For Reference Only.

Disclaimer: This drawing is property of Kiesler Machine Inc, Kieslermachine.com. It is owned with the understanding that it will in no way be used in a manner which is harmful to Kiesler Machine Inc.